



### Application Notes:

101  
102  
103E  
007

- Polarized, nonlatching hermetically sealed relay

• Contact arrangement                      3PST/NO

• Coil Supply                                      Direct or alternating current

• Qualified and in accordance with      MIL-PRF-6106

## PRINCIPLE TECHNICAL CHARACTERISTICS

• Contacts rated at                              28 Vdc; 115 Vac, 400 Hz, 1 Ø  
115/200 Vac, 400 Hz, 3 Ø  
120/208Vac, 60Hz, 3 Ø

• Weight    1.42 lbs. max

• Dimensions                                      3.71 x 3.0 x 3.20 in. max

• Balanced-force design, all welded construction

• Hermetically sealed, corrosion protected metal can

• No make before break

• Special models available upon request

## CONTACT ELECTRICAL CHARACTERISTICS

Contact rating per pole and load type [1]	Load current in Amps			
	28 VDC	115 Vac /400Hz	115/200 Vac 400 Hz, 3Ø	120/208 Vac 50/60 Hz 1 & 3 Ø
Resistive	25A [2]	25A [2]	25A [2]	25A [2]
Inductive [9]	15A	25A [2]	25A [2]	25A [2]
Motor	20A	20A	20A	12A
Lamp	10A [2]	10A	10A	10A [2]
Load Transfer Resistive [8]	-	-	25A [2]	-

### COIL CHARACTERISTICS (Vdc)

COIL DATA	28 Vdc	115 Vac 400 Hz [3]	115 Vac 50/60 Hz	Suppressed Vdc [4]
Nominal operating voltage	28	115	115	28
Maximum operating voltage	29	128	124	29
Maximum Pick-up voltage @ +125° C	18	95	95	20
Drop-out voltage, max	7	40	40	7
Coil resistance $\Omega \pm 10\%$ at +25° C	160	-	-	160
Coil current max. mA at +25° C	-	55	60	-

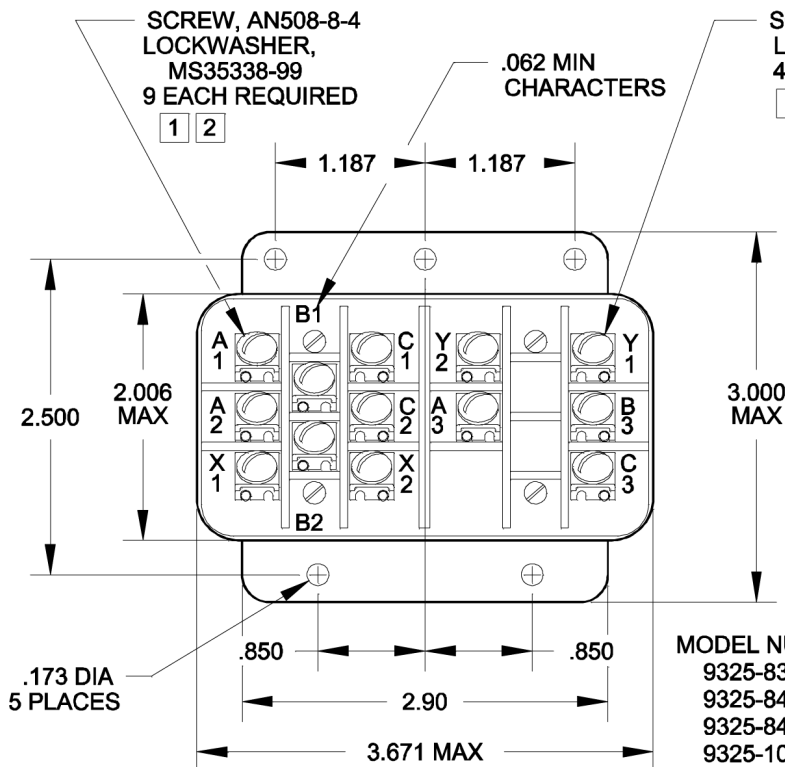
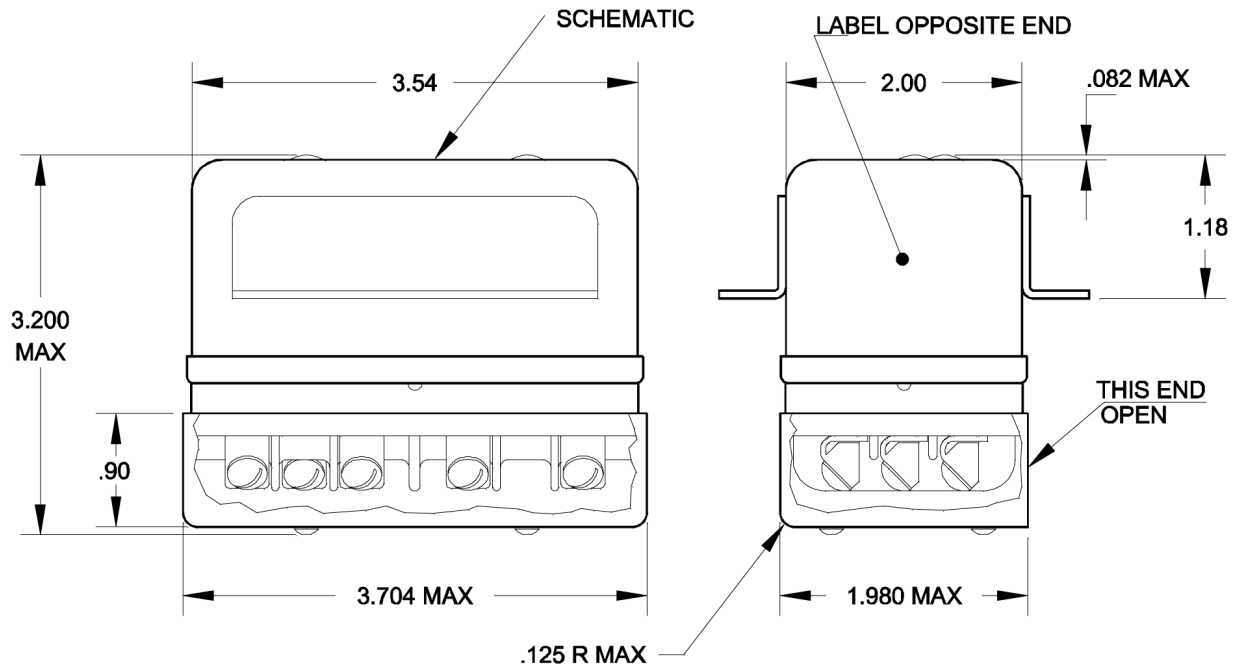
### GENERAL CHARACTERISTICS

Temperature range	-70°C to +125°C
Minimum operating cycles (life) at rated load	50,000
Minimum operating cycles (life) at 25% rated load	200,000
<b>Dielectric strength at sea level all points</b>	
All circuits to ground and circuit to circuit	1500 Vrms / 50 Hz
Coil to ground	DC 1,250 Vrms
Dielectric strength at altitude 80,000 ft	500 Vrms / 50Hz
Insulation resistance (at 500 Vdc) minimum	100 M $\Omega$ min
Sinusoidal vibration (55-1500 Hz)	10 G
Shock (6-9 millisecond duration)	25 G
Maximum contact opening time under shock or vibration	2 ms
Operate time at nominal voltage @ 25°C	20 ms max [5]
<b>Release time at nominal voltage @ 25°C</b>	
DC	10 ms max [9]
AC	50 ms max
Contact make bounce at nominal voltage	5 ms max

Unless otherwise noted, the specified temperature range applies to all relay characteristics.

Dimensions in inches  
Tolerances, unless otherwise specified  
XXX ± .010  
XX ± .03

## CONFIGURATION



SCREW, AN508-8-4  
LOCKWASHER, MS35338-99  
9 EACH REQUIRED  
1 2

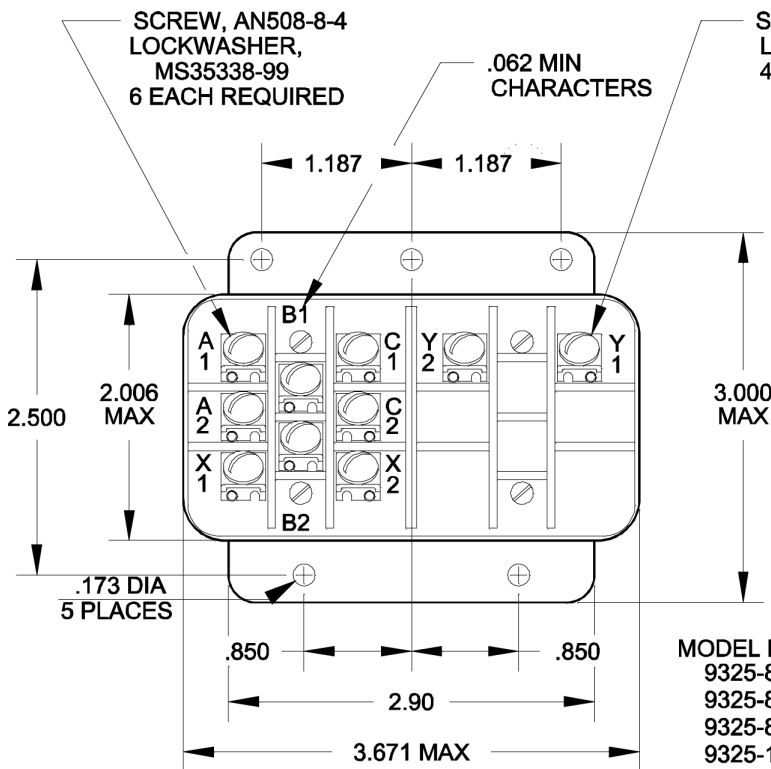
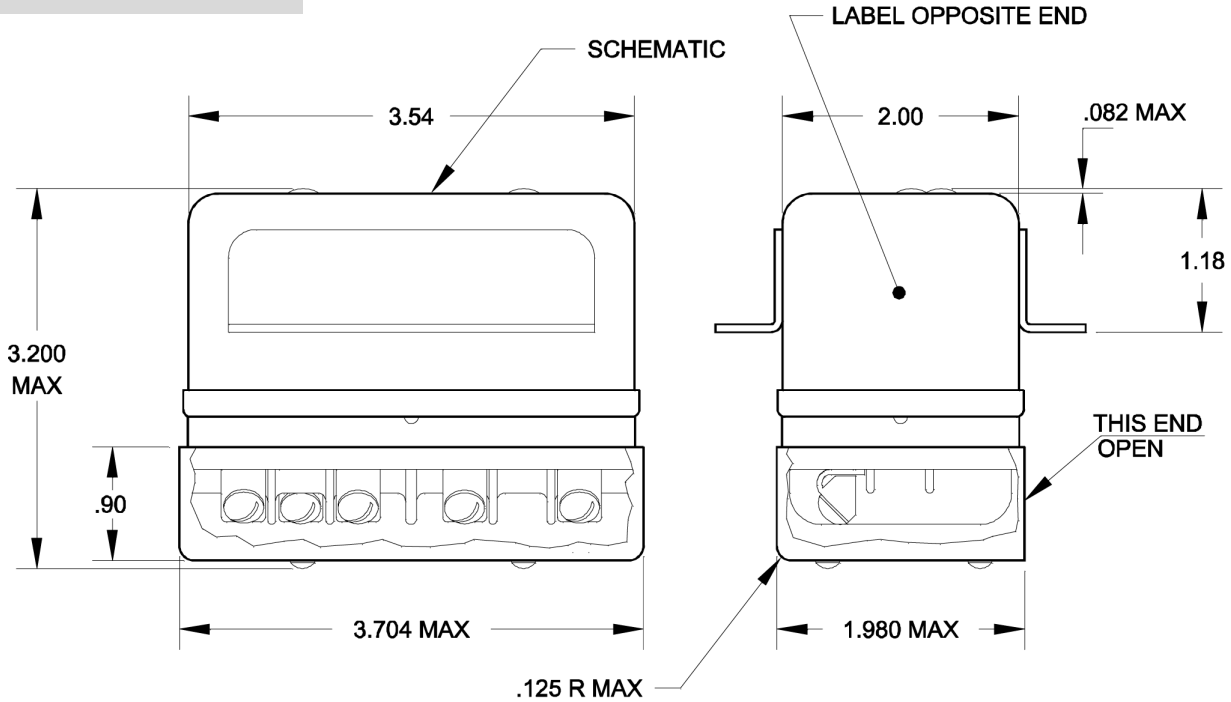
SCREW, AN508-6-4  
LOCKWASH, MS35338-98  
4 EACH REQUIRED  
1 2

## CONFIGURATION 1

MODEL NUMBER	WEIGHT (MAX)	
9325-8390	1.40 LB	1 POWER TERMINALS
9325-8401	1.40 LB	ACCEPT MS25036-53 LUGS
9325-8402	1.40 LB	2 COIL TERMINALS ACCEPT
9325-10383	1.42 LB	MS25036-7 LUGS
9325-10275	1.42 LB	

TERMINAL BARRIER IS OMITTED FROM BOTTOM VIEW FOR CLARITY.

Dimensions in inches  
 Tolerances, unless otherwise specified  
 XXX ± .010  
 XX ± .03

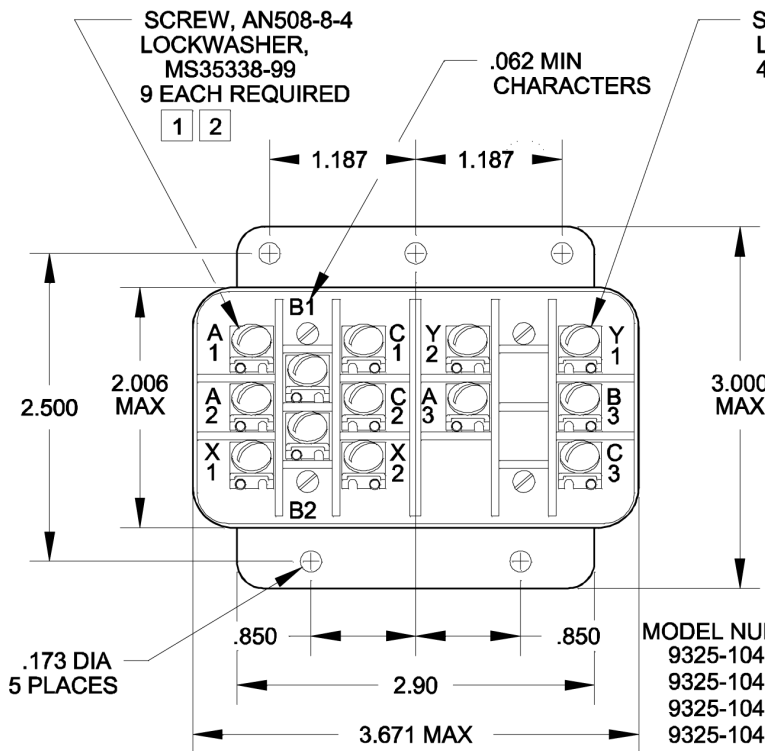
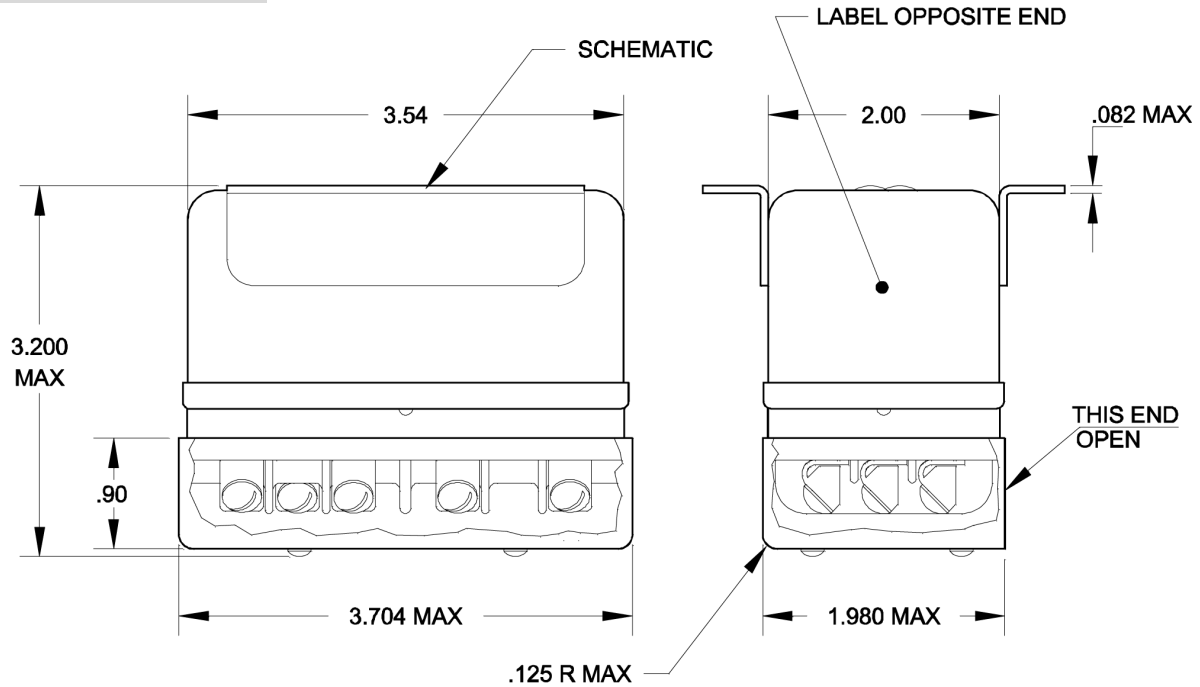


## CONFIGURATION 2

MODEL NUMBER	WEIGHT (MAX)	
9325-8398	1.40 LB	1 POWER TERMINALS
9325-8399	1.40 LB	ACCEPT MS25036-53 LUGS
9325-8400	1.40 LB	2 COIL TERMINALS ACCEPT
9325-10382	1.42 LB	MS25036-7 LUGS
9325-10483	1.42 LB	

TERMINAL BARRIER IS OMITTED FROM BOTTOM VIEW FOR CLARITY.

Dimensions in inches  
 Tolerances, unless otherwise specified  
 XXX ± .010  
 XX ± .03



SCREW, AN508-8-4  
 LOCKWASHER, MS35338-99  
 9 EACH REQUIRED

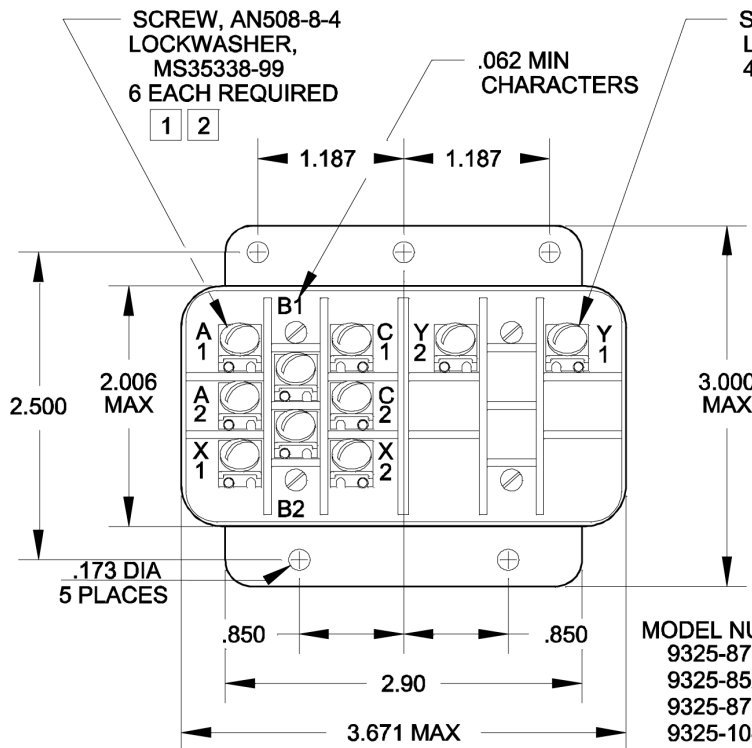
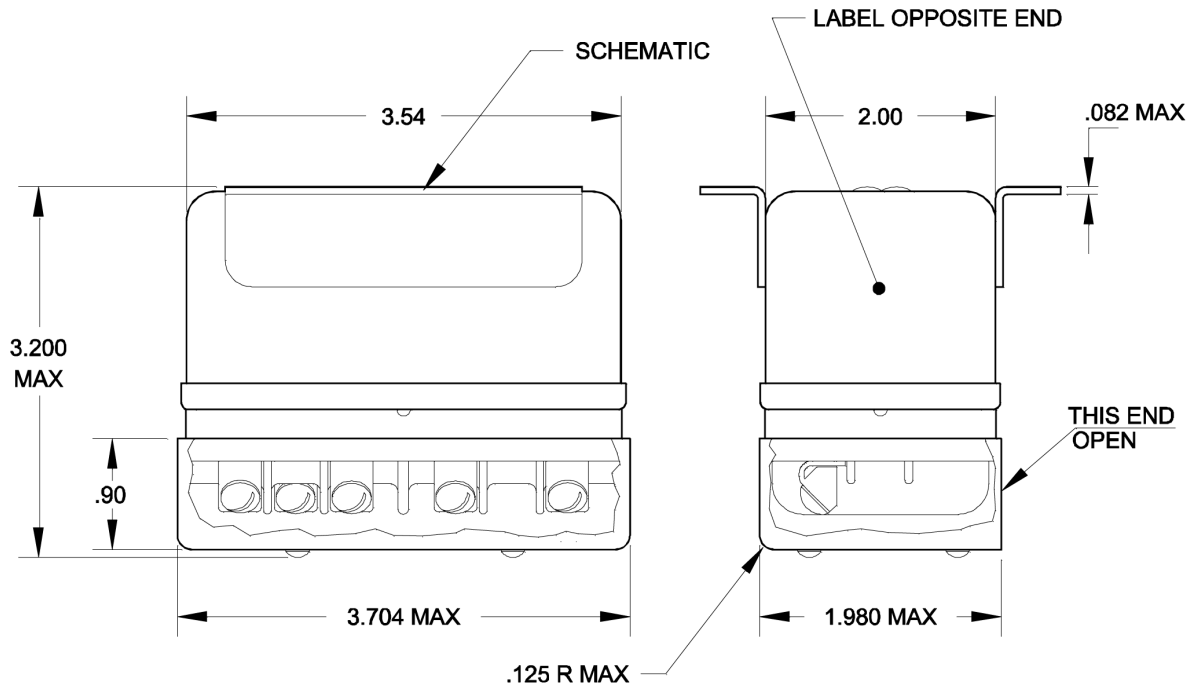
SCREW, AN508-6-4  
 LOCKWASHER, MS35338-98  
 4 EACH REQUIRED

### CONFIGURATION 3

MODEL NUMBER	WEIGHT (MAX)
9325-10484	1.42 LB [1] POWER TERMINALS
9325-10485	1.42 LB ACCEPT MS25036-53 LUGS
9325-10486	1.40 LB [2] COIL TERMINALS ACCEPT
9325-10487	1.42 LB MS25036-7 LUGS

TERMINAL BARRIER IS OMITTED FROM BOTTOM VIEW FOR CLARITY.

Dimensions in inches  
 Tolerances, unless otherwise specified  
 XXX ± .010  
 XX ± .03



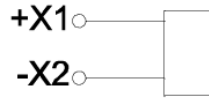
## CONFIGURATION 4

MODEL NUMBER	WEIGHT (MAX)	
9325-8788	1.42 LB	1 POWER TERMINALS
9325-8523	1.42 LB	ACCEPT MS25036-53 LUGS
9325-8734	1.40 LB	2 COIL TERMINALS ACCEPT
9325-10488	1.42 LB	MS25036-7 LUGS

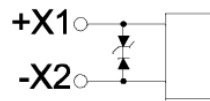
TERMINAL BARRIER IS OMITTED FROM BOTTOM VIEW FOR CLARITY.

Dimensions in inches  
Tolerances, unless otherwise specified  
XXX ± .010  
XX ± .03

## COIL CONFIGURATION

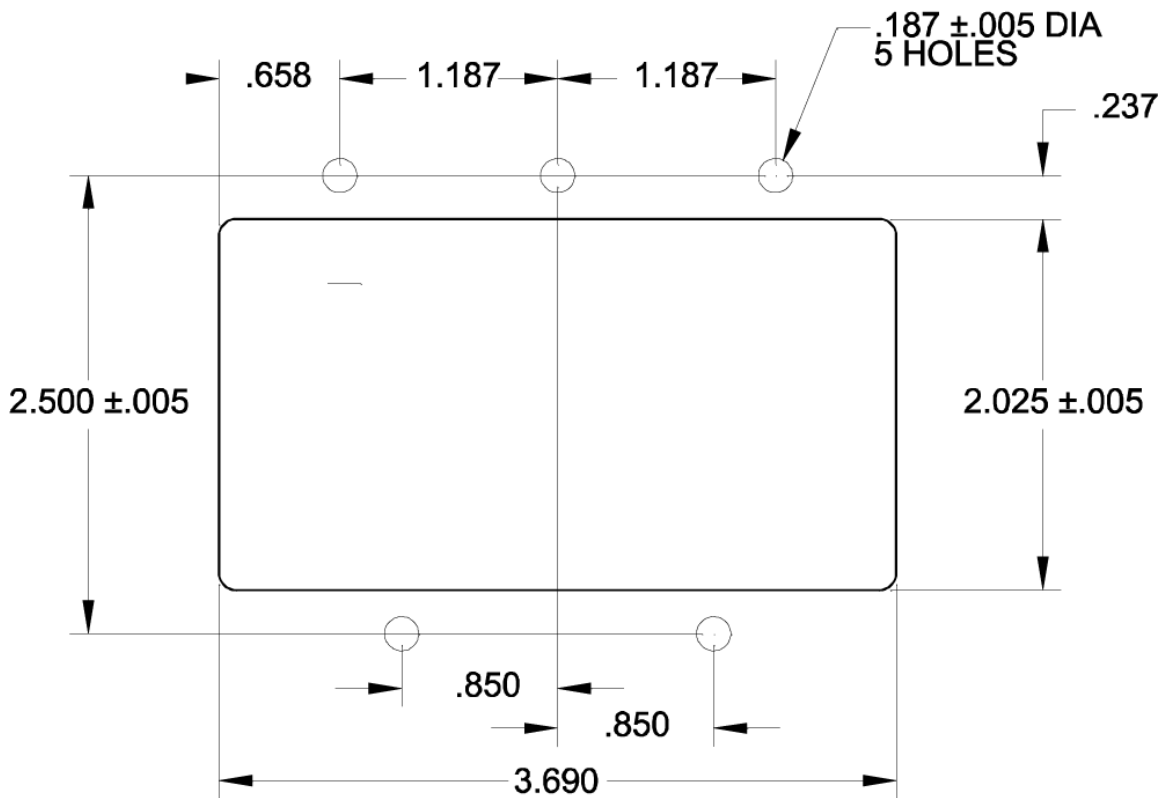


STANDARD COIL

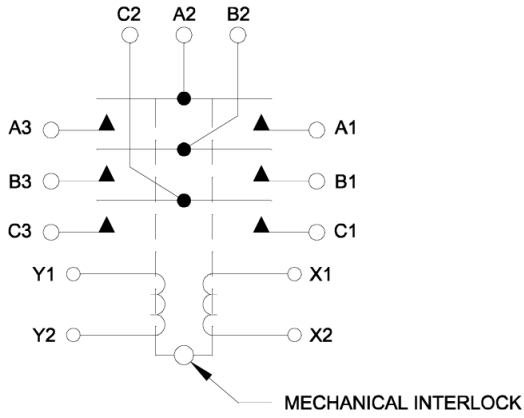


SUPPRESSED COIL

## MOUNTING DATA



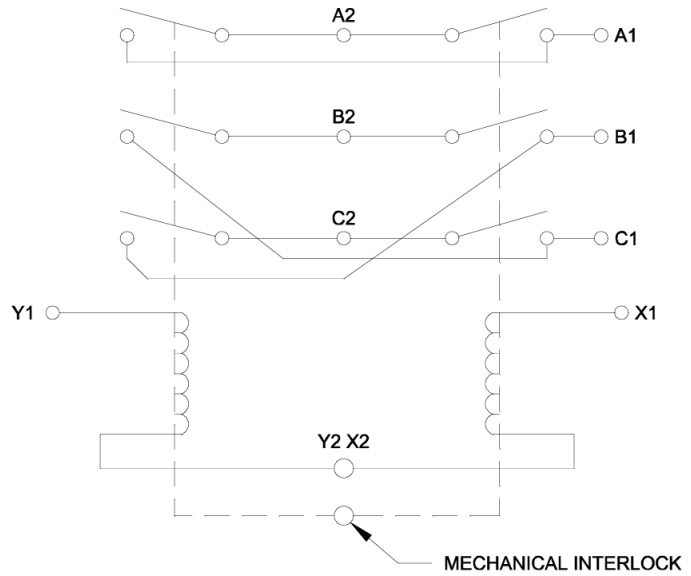
### SCHEMATIC DIAGRAM



MODEL NUMBER

9325-8390	9325-10275
9325-8401	9325-10484
9325-8402	9325-10485
9325-10383	9325-10486
	9325-10487

FIGURE 1



MODEL NUMBER

9325-8398	9325-10483
9325-8399	9325-8788
9325-8400	9325-8523
9325-10382	9325-8734
	9325-10488

FIGURE 2



### NUMBERING SYSTEM

LEACH PART NO.	DESCRIPTION	MS NUMBER	CONFIGURATION	SCHEMATIC
9325-8399	3 PST-CO, 25 AMP, AC COIL (400 Hz)	MS27706-1A	2	2
9325-8401	3 PST-CO, 25 AMP, AC COIL (400 Hz)	MS27706-2A	1	1
9325-8398	3 PST-CO, 25 AMP, DC COIL	MS27706-1B	2	2
9325-8390	3 PST-CO, 25 AMP, DC COIL	MS27706-2B	1	1
9325-8400	3 PST-CO, 25 AMP, DC, AC COIL (400 Hz)	MS27706-1C	2	2
9325-8402	3 PST-CO, 25 AMP, DC, AC COIL (400 Hz)	MS27706-2C	1	1
9325-10382	3 PST-CO, 25 AMP, DC SUPPRESSED COIL	-	2	2
9325-10383	3 PST-CO, 25 AMP, DC SUPPRESSED COIL	-	1	1
9325-10483	3 PST-CO, 25 AMP, AC COIL (60 Hz)	-	2	2
9325-10275	3 PST-CO, 25 AMP, AC COIL (60 Hz)	-	1	1
9325-10484	3 PST-CO, 25 AMP, AC COIL (60 Hz)	-	3	1
9325-8788	3 PST-CO, 25 AMP, AC COIL (60 Hz)	-	4	2
9325-10485	3 PST-CO, 25 AMP, AC COIL (400 Hz)	-	3	1
9325-8523	3 PST-CO, 25 AMP, AC COIL (400 Hz)	-	4	2
9325-10486	3 PST-CO, 25 AMP, DC COIL	-	3	1
9325-8734	3 PST-CO, 25 AMP, DC SUPPRESSED COIL	-	4	2
9325-10487	3 PST-CO, 25 AMP, DC SUPPRESSED COIL	-	3	1
9325-10488	6 PST, 25 AMP, DC COIL	-	4	2

## NOTES

---

1. Standard minimum current test applicable.
2. Values beyond applicable military specification requirements.
3. May be used on 115 VAC, 60 Hz IF MAX. Ambient temperature is limited to +85°C.
4. Suppressed coils have back EMF coil suppression to -42 VDC.
5. Operate time at nominal voltage, AC: 0.025 Sec max.
6. Applicable military specification: MIL-PRF-6106.
7. Military approval – MS27706.
8. Suitable for transfer between unsynchronized AC power, supplied at rating indicated.
9. Release time is 0.015 sec max @ 25°C when suppressed coil is used.

For any inquiries, please contact your local sales representative: [leachcorp.com](http://leachcorp.com)